



FAIRBORN USA INC.

*Fairborn USA Inc.  
205 Broadview Street  
Upper Sandusky, OH 43351  
1-800-262-1188  
Fax 1-419-294-4980*

---

# Series 1600 WeatherGuard<sup>®</sup> Dock Enclosure

*All Models*



Do not install this product unless you read and understand the Warnings and Installation Instructions contained in this manual. Failure to do so could result in serious injury or death.

# SERIES 1600 WeatherGuard®

## Installation Instructions

### CHECK FIRST:

To ensure proper measurement to accommodate the Dock Seal you are installing, check the following:

A. Check the door height and width to verify that your side pads and head frame are properly sized.

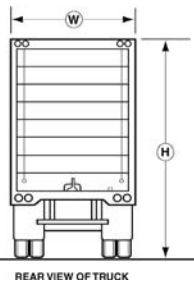
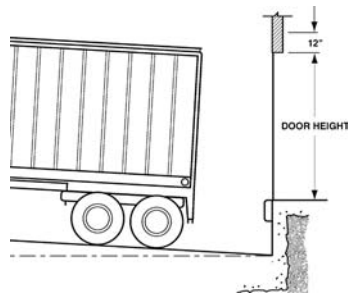
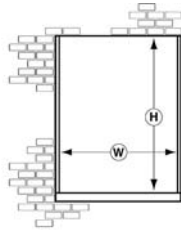
B. It is recommended that the head pad or side pads be compressed not more than a maximum of 12"; nor more than 70% of its total projection. A minimum of 4" compression is advised to compensate for vehicles not evenly spotted against the building.

C. If the approach is not level, check to make sure the side pads taper to accommodate the angle of the truck. Also on a tapered drive, follow Step "B" for both the top and bottom of the seal, allowing for the recommended compression.

D. Check the heights of incoming carriers that will be utilized at this door, to ensure that the head pad is of proper elevation to accommodate the height range of these vehicles.

E. In 95% of installations, the inside edge of the face of the side pads should be 7'-8" I.D. If achieving the 7'-8" dimension requires extending the wood backing of the side pads into the door opening width, use the following recommendation:

Weld or anchor a structural angle the full length of the side jambs, not allowing any portion of the wood backing to be exposed into the door opening. It is appropriate to lag through the leg of the angle into the back of the wood approximately 1" from the edge of the board.



### INSTALLATION:

1. Identify yourself to the appropriate on-site personnel. Follow instructions as to: 1) the location where tools, equipment and material can be stored on site; and 2) the installation sequence for each opening. Review all job site safety programs and procedures to ensure your compliance. Obtain all appropriate permits required to perform this work.
2. Review all drawings and specifications related to this portion of the project with particular attention to special instructions and/or conditions. Verify the facility conditions to the appropriate dock related dimensions illustrated on Fairborn Drawing. (Door width and height, dock height, distance between openings, bumper projections, drive grade and etc.)
3. Clear installation area of all unnecessary obstructions. Cordon off vehicular and pedestrian traffic.
4. Unpack dock seal components, checking completeness of all bills of lading, bills of materials and installation instructions. Additionally check basic unit dimensions to assure that the correct units have arrived at the job site (length, widths, projections, etc.).
5. Center the L side pad assemblies (guide stripes at bottom; exhaust vents toward exterior) on the opening width, maintaining a 134" O.D. (Blockouts may be provided for side pads—refer to Dwg's/order.) The bottom of the side pads should be positioned 3/4" above the outward threshold of the opening. Be sure to keep the side pads square and plumb. Secure each side pad assembly to building face utilizing included mounting brackets, 5/16" x 1 5/8" long lag screws, 5/16" flat washers and 3/8" x 4" long stud anchors.
6. If provided, apply 1/4" thick closed cell gasket x 134" long to rear of metal head frame assembly. Position metal head frame assembly, square and level with required 1" clearance, over side pads and against building face with compressible gasket at rear (head pad brackets toward the front). Position gusseted steel support brackets at both ends under head frame and secure frame to brackets, making sure support brackets are plumb and parallel with side pads, with (4 or 6) 5/16"-18 x 2 1/2" bolts, (8 or 12) 5/16" flat washers and (4 or 6) 5/16"-18 hex lock nuts. (Refer to Figure #2.) Secure head frame and brackets to wall with (10 or 12) 3/8" x 4" long stud anchors through holes provided. (Refer to Figure #3.)
7. Check condition of above assembled components to assure they are plumb, square and level. Shim or adjust as required.
8. Position head pad/pivot assembly between side pads and against angle brackets at the front, underside of head frame (flat side of head pad toward front of unit). Secure head pad/pivot assembly to head frame with (12) 5/16"-18 x 2 1/2" long hex head bolts, (24) 5/16" flat washers and (12) 5/16"-18 hex lock nuts. (Refer to Figure #4.)
9. Position top edge of the rear head curtain assembly to the rear, top edge of the 2" x 6" that is attached to the underside of head frame. Secure with 1" roofing nails spaced approximately 6" on center. (Refer to Figure #4.)

#### ⚠ WARNING

Improper lifting or attachment of seal/shelter can cause serious injury or death.

Installation requires:

- A structurally sound building wall,
- Barricades to keep people away from the area,
- Proper attachment of anchoring devices,
- Two or more people,
- A lifting device capable of lifting at least 500 lbs. at the installation angle.

If you have questions, contact your supervisor, your local Fairborn distributor or Fairborn USA at 1-800-262-1188.

10. Screw attach the center portion of the front pleat curtain assembly to the head pad wood frame with (12) #12x1 1/4" long phillips pan head wood screws and 1/4" flat washers spaced approximately 6" on center. Position the right and left end pleat assemblies on the front of the unit, aligning the top edge mounting holes with those in the head frame. (Refer to Figure #5.)

11. Position front head curtain assembly to front of unit, aligning holes with those in head frame. (Refer to Figure #5.) NOTE: Be sure the front head curtain is installed to cover the top corner of the left and right pleat assemblies described in Item #10.

12. Position aluminum trim angle to front of unit aligning holes with those in head frame, front head curtain and pleat assemblies. Secure all aforementioned components to front of head frame with (9) 5/16"-18 x 2 1/2" long hex head bolts, (18) 5/16" flat washers and (9) 5/16"-18 lock nuts. Be sure bolts are positioned through the holes provided in each component. (Refer to Figure #5.)

13. Attach rubber tarp straps (1 each end of unit) to grommeted holes in lower outside corners of end pleat assemblies and crimp S-hooks. Pull tarp straps rearward and down at exterior and attach S-hooks to side pad wood frames with 5/16" x 2" hex head lag screws and 5/16" fender washers. (Refer to Figure #5 and Dwg.)

14. Apply silicone based caulking over gasket material at the top exterior of the head frame. Bead size to be adequate for adhesion to the continuous rear portion of the head frame and adjacent wall surface while providing adequate coverage to the gasket material.

15. Clean unit and clear area of all cartons, scrap and debris generated as a result of the Dock Seal installation.

NOTE: When installing the anchors described within, be sure to set anchors in accordance with the anchor manufacturer's recommended installation procedures to ensure maximum holding strength.

## SUGGESTED MOUNTING METHODS:

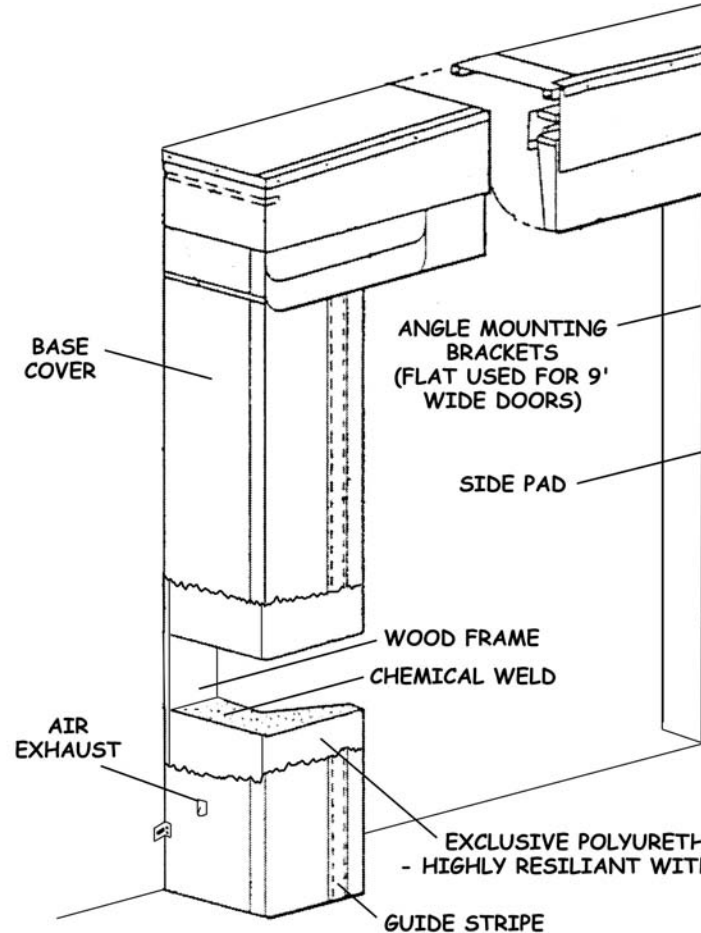
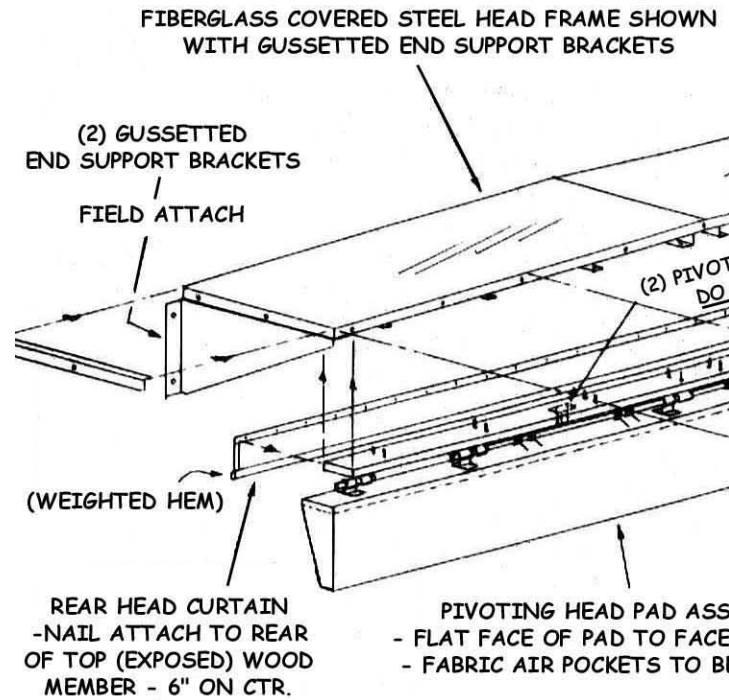
(Mounting anchors not included.)

Concrete or Brick Wall: Try to hit mortar joints. Use 1/2" or 3/8" x 3" expansion anchors. Use through-bolt fastening if anchors will not hold, 3/8" threaded rod is recommended.

Precast Concrete: Same as above.

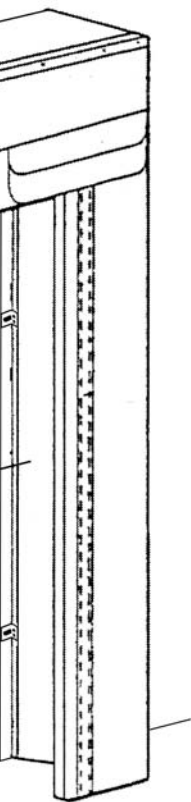
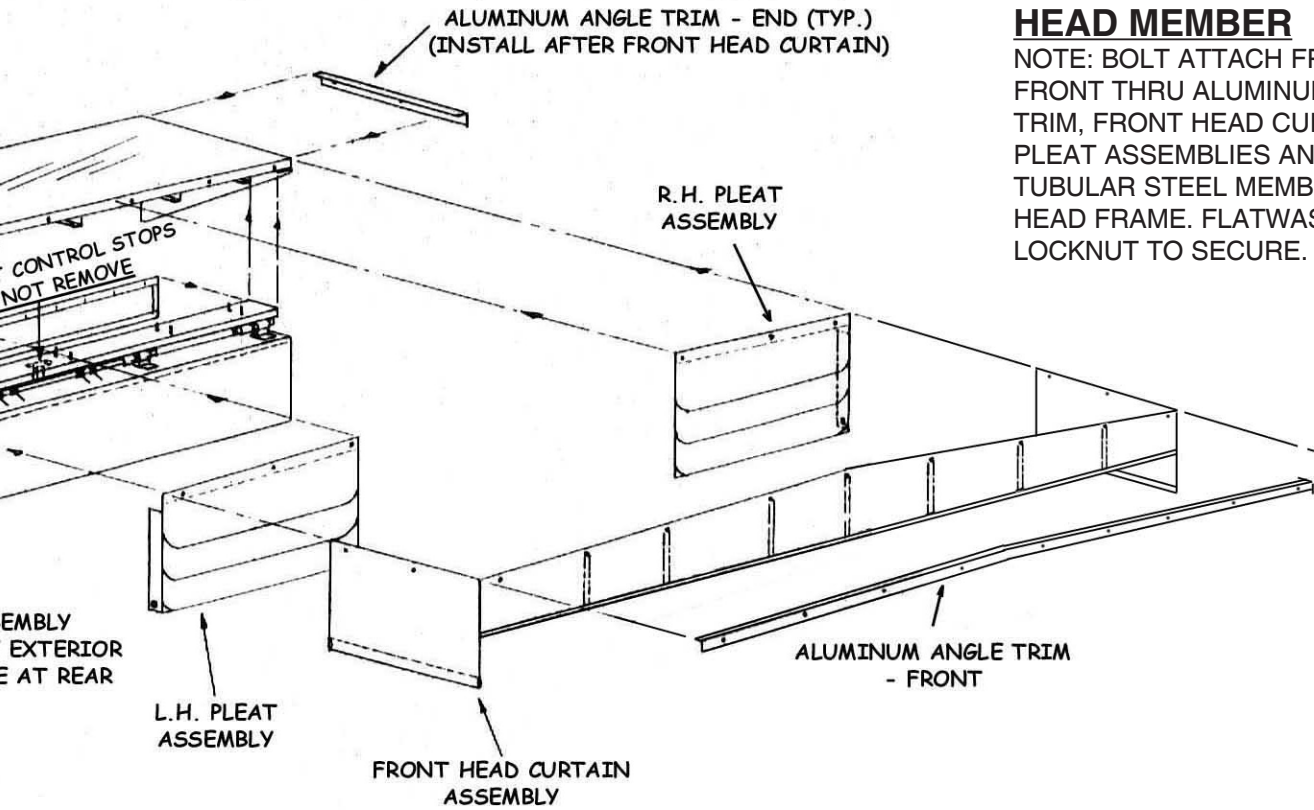
Metal Skin Building: Through-bolt fastening as above. Use a back-up plate (steel or wood) to support bolts or anchor through existing building horizontal and vertical structural members when possible.

NOTE: Dock Seals must have adequate bumper protection, 4" minimum.

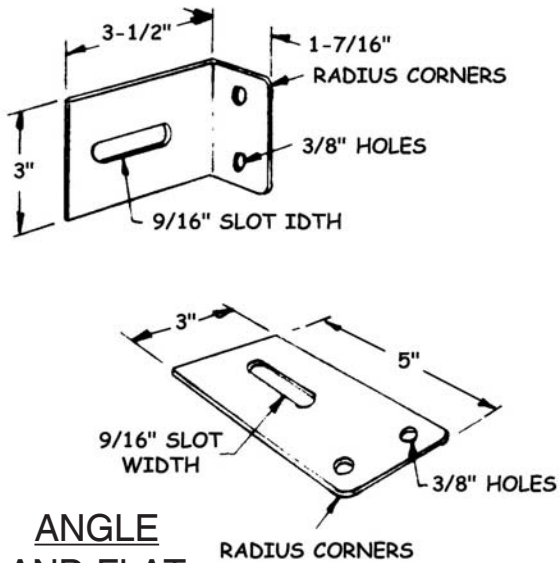


## EXPLODED VIEW HEAD MEMBER

NOTE: BOLT ATTACH FROM THE FRONT THRU ALUMINUM ANGLE TRIM, FRONT HEAD CURTAIN, PLEAT ASSEMBLIES AND FRONT TUBULAR STEEL MEMBER OF HEAD FRAME. FLATWASHER AND LOCKNUT TO SECURE.

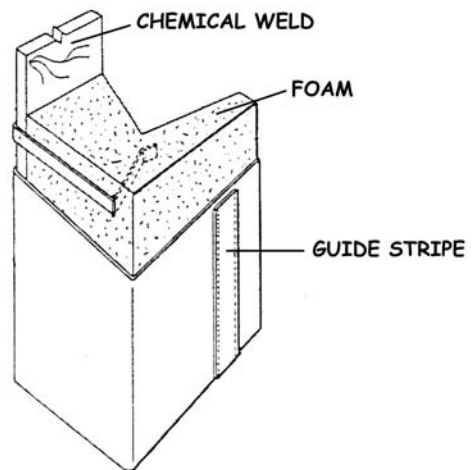


NEANE FOAM  
H FULL MEMORY



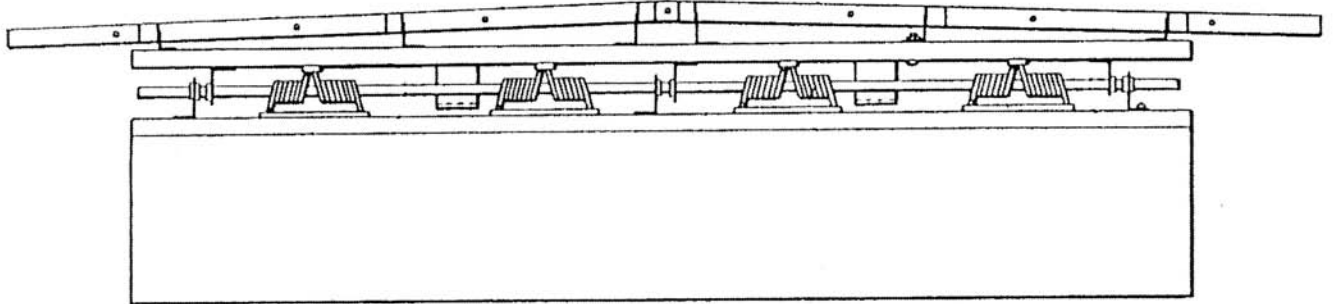
## ANGLE AND FLAT MOUNTING BRACKETS

## PAD SECTION

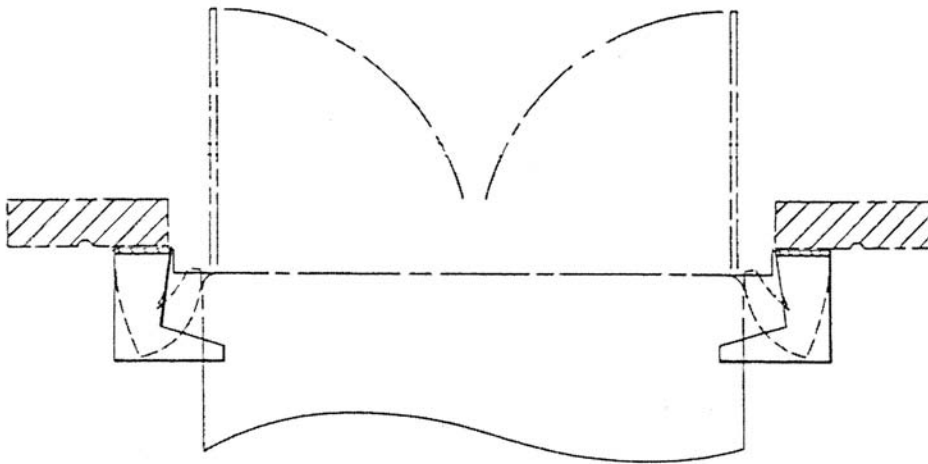


---

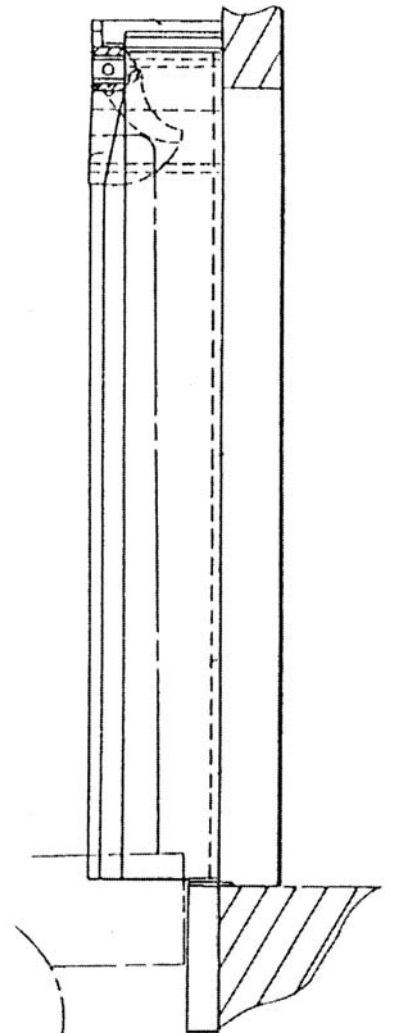
DETAIL FRONT VIEW - HEAD PAD ASSEMBLY

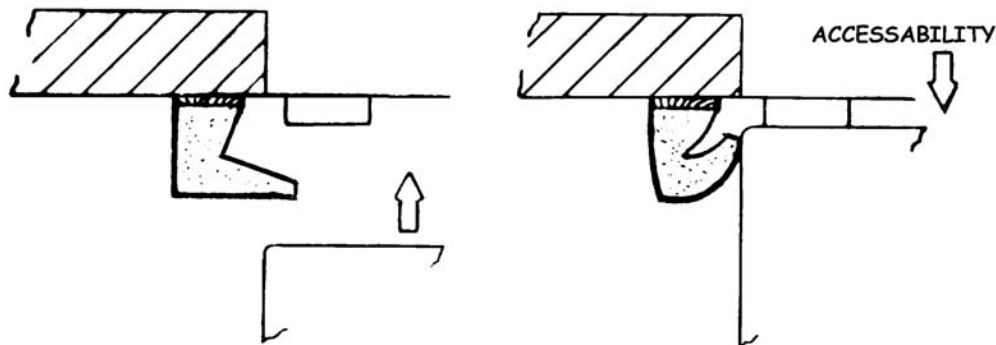


TOP SECTION VIEW



SIDE ELEVATION





FLEX ACTION OF SIDE PADS SHOWN AS TRAILER BODY ENTERS DOCK

---

## LIMITED PRODUCT WARRANTY

### GENERAL

FAIRBORN USA INC. EXTENDS THIS LIMITED WARRANTY TO THE ORIGINAL BUYER AND WARRANTS THAT ALL PRODUCTS MANUFACTURED BY FAIRBORN SHALL BE FREE FROM ORIGINAL DEFECTS IN WORKMANSHIP AND MATERIALS FOR ONE YEAR FROM DATE OF SHIPMENT, PROVIDED SAME HAVE BEEN PROPERLY SIZED FOR THE APPLICATION, STORED, INSTALLED, SERVICED, MAINTAINED AND OPERATED. THIS WARRANTY SHALL NOT APPLY TO PRODUCTS WHICH HAVE BEEN ALTERED OR REPAIRED IN ANY WAY SO AS, IN FAIRBORN'S JUDGMENT, AFFECTS ITS PERFORMANCE OR RELIABILITY, NOR WHICH HAVE BEEN IMPROPERLY INSTALLED OR SUBJECTED TO MISUSE, NEGLIGENCE, OR ACCIDENT, OR INCORRECTLY USED IN COMBINATION WITH OTHER SUBSTANCES. COMPENSATION FOR PRODUCTS HAVING WEAR AND TEAR CAUSED BY NORMAL USAGE IS NOT PROVIDED FOR BY THIS WARRANTY.

### DYNALON

IN CONSIDERATION OF THE SAME CONDITIONS AND RESTRICTIONS AS STATED ABOVE, DYNALON IS WARRANTED AGAINST THE EFFECTS OF WEATHERING FOR A PERIOD OF FIVE YEARS AS DESCRIBED WITHIN. AS PART OF THIS AGREEMENT THE TERM "WEATHERING" IS DEFINED AND LIMITED TO THE EFFECTS OF SUNLIGHT (ULTRAVIOLET RADIATION), WATER (ATMOSPHERIC PRECIPITATION), COLD, AND HEAT. THIS WARRANTY IS NOT APPLICABLE IF THE DYNALON HAS BEEN EXPOSED OR SUBJECTED TO CORROSIVE AGENTS, CHEMICALS, OR MECHANICAL ABUSE.

IN THE EVENT THAT THE EFFECTS OF WEATHERING RENDER THE PRODUCT, CONSTRUCTED OF DYNALON, INOPERABLE DUE TO CRACKING, CHECKING, OR ULTRAVIOLET BREAKDOWN, THEN FAIRBORN USA INC., AFTER INSPECTION AND VERIFICATION, WILL FURNISH REPLACEMENT MATERIALS, AT NO COST TO CUSTOMER, TO FIX OR REPAIR AND/OR REPLACE THE INOPERABLE COMPONENTS. FAIRBORN SHALL NOT BE RESPONSIBLE FOR THE ON-SITE LABOR, FREIGHT, LOSS OF USE OR ANY OTHER EXPENSE RELATED TO THE AFOREMENTIONED CLAIM.