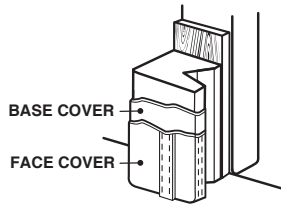
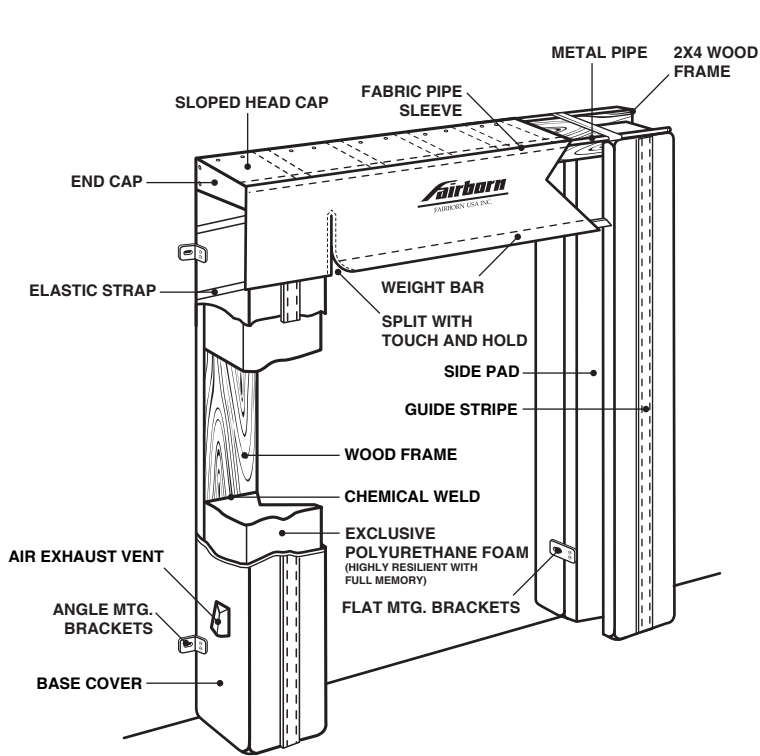
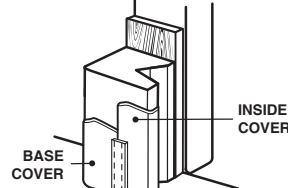


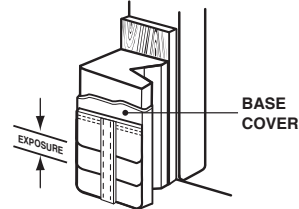
SERIES 1400L
HEAD CAP TYPE
DOCK SEAL



REINFORCED FACE

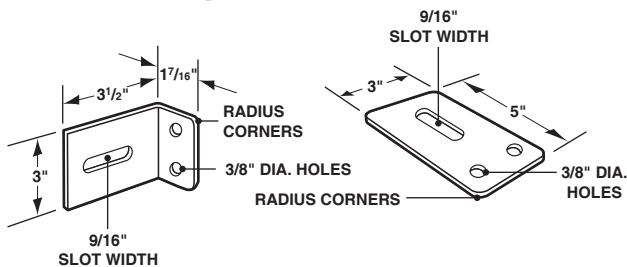
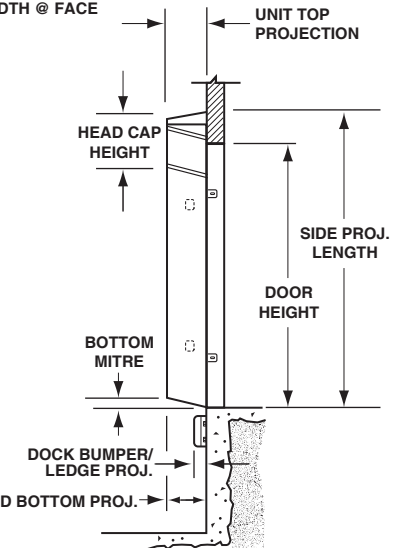
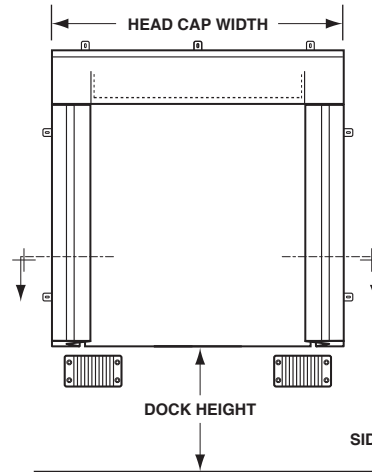
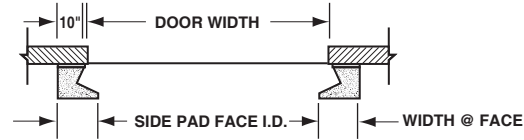


REINFORCED INSIDE

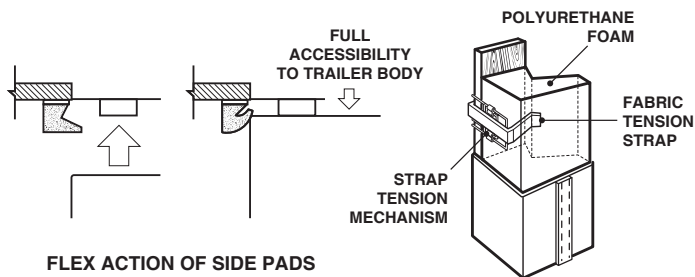


DYNA-ARMOR PLEATS

- SIDE PADS**
- 4" EXPOSURE
 - 8" EXPOSURE
 - 16" EXPOSURE



ANGLE AND FLAT MOUNTING BRACKETS



FLEX ACTION OF SIDE PADS SHOWN AS TRAILER BODY ENTERS DOCK

SIDE PAD COVER SUPPORT (ASSEM. - TYP. 6 PLACES @ PAD)

HEAD CAP DATA

- _____ WIDTH
- _____ TOTAL PROJECTION
- _____ VERTICAL DROP
- _____ BASE FABRIC
- _____ COLOR

- END FACE REINFORCEMENT
 - _____ FABRIC
 - _____ COLOR
- DYNA-ARMOR ENDS
 - _____ FABRIC
 - _____ COLOR
 - _____ " PLEAT EXPOSURE
- FRONT VERTICAL SPLITS
 - _____ "E" SPLIT HEIGHT (C-6"= MAX. SPLIT)
- TOUCH AND HOLD ATTACHMENT
- ROPE/PULLEY SYSTEM

SIDE PAD DATA

- _____ LENGTH AT REAR
- _____ WIDTH AT REAR
- _____ WIDTH AT FACE
- _____ TOTAL PROJ. AT TOP
- _____ TOTAL PROJ. AT BOTTOM
- _____ SIDE PAD FACE I.D.
- _____ BASE FABRIC
- _____ COLOR
- BLOCKOUT (IF REQUIRED)
 - PROJ: _____ TOP _____ BOTTOM
 - _____ FABRIC
 - _____ COLOR
- FACE REINFORCEMENT
 - _____ FABRIC
 - _____ COLOR
- INSIDE EDGE REINFORCEMENT
 - _____ FABRIC
 - _____ COLOR

- DYNA-ARMOR PLEATS
 - _____ FABRIC
 - _____ COLOR
 - _____ "PLEAT EXPOSURE
- FORMED STEEL BACK
 - PAINTED GALVANIZED
- NON-ROT BACK

GENERAL INFORMATION

- _____ DOOR WIDTH
- _____ DOOR HEIGHT
- _____ COLOR
- _____ DOCK HEIGHT
- _____ DOCK BUMPER/LEDGE
- _____ COMBINED PROJECTION
- _____ DISTANCE BETWEEN DOORS
- _____ CLEARANCE ABOVE DOOR

- DRIVE APPROACH: LEVEL
 DECLINE " " IN ' INCLINE " " IN ' "

FB- _____ QTY. _____ SHEET _____ OF _____



P.O. BOX 151 • 205 BROADVIEW STREET
 UPPER SANDUSKY, OHIO 43351
 800-262-1188 • 419-294-4987 • FAX: 419-294-4980
 VISIT US AT... WWW.FAIRBORNUSA.COM

JOB: _____

LOCATION: _____

CONTRACTOR: _____ ARCHITECT: _____

APPROVED BY SIGNATURE: _____