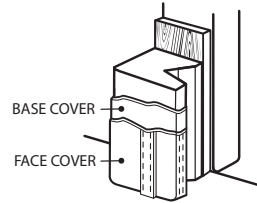
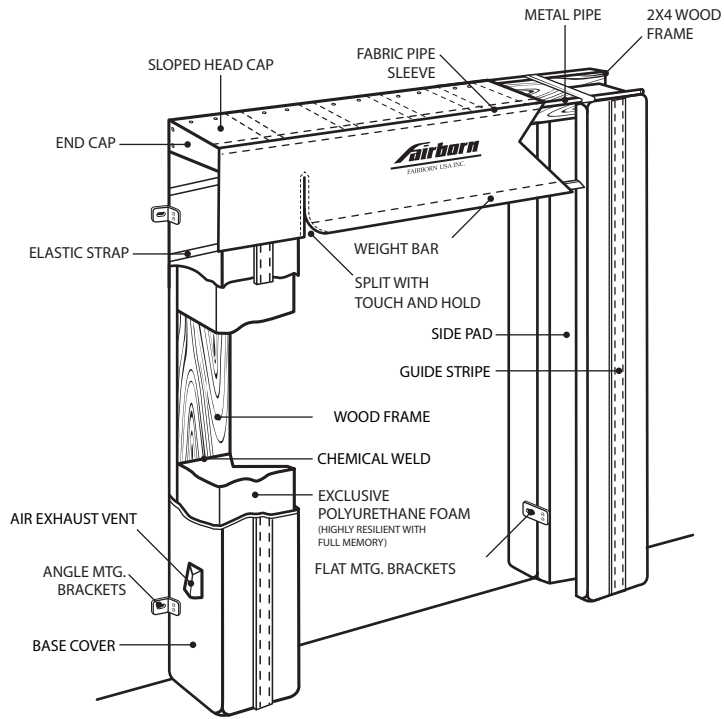
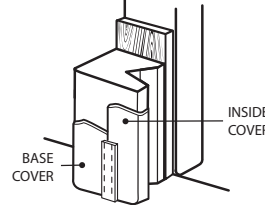


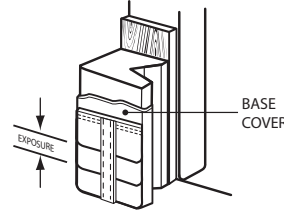
SERIES 1400L
HEAD CAP TYPE
DOCK SEAL



REINFORCED FACE

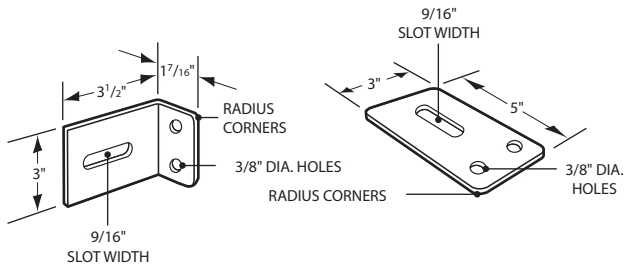
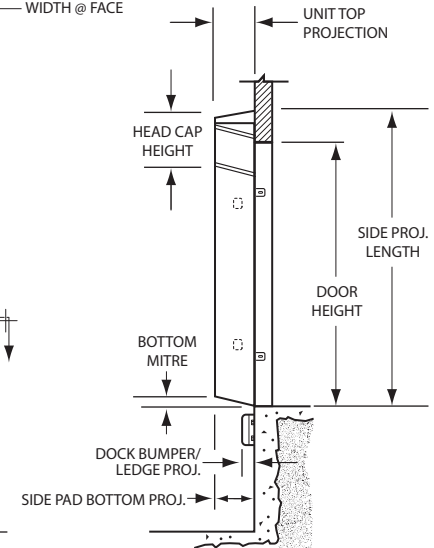
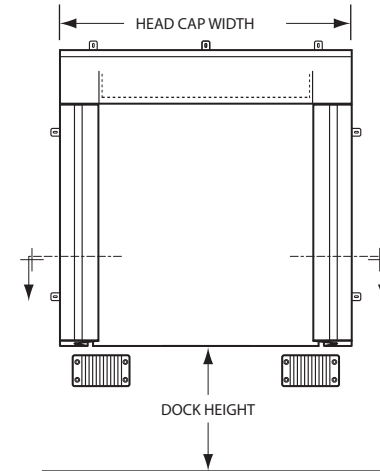
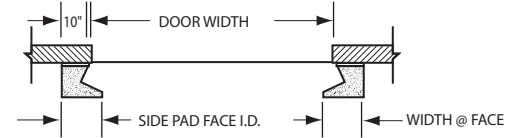


REINFORCED INSIDE

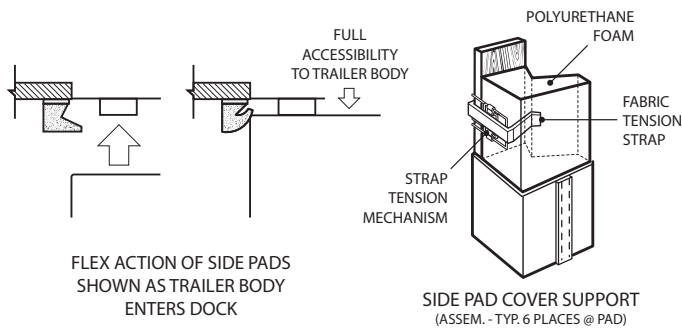


DYNA-ARMOR PLEATS

- SIDE PADS
- 4" EXPOSURE
 - 8" EXPOSURE
 - 16" EXPOSURE



ANGLE AND FLAT MOUNTING BRACKETS



FLEX ACTION OF SIDE PADS SHOWN AS TRAILER BODY ENTERS DOCK

SIDE PAD COVER SUPPORT (ASSEM. - TYP. 6 PLACES @ PAD)

<p>HEAD CAP DATA</p> <p>____ WIDTH</p> <p>____ TOTAL PROJECTION</p> <p>____ VERTICAL DROP</p> <p>____ BASE FABRIC</p> <p>____ COLOR</p> <p><input type="checkbox"/> END FACE REINFORCEMENT</p> <p>____ FABRIC</p> <p>____ COLOR</p> <p><input type="checkbox"/> DYNA-ARMOR ENDS</p> <p>____ FABRIC</p> <p>____ COLOR</p> <p>____ " PLEAT EXPOSURE</p> <p><input type="checkbox"/> FRONT VERTICAL SPLITS</p> <p>____ "E" SPLIT HEIGHT (C-6"= MAX. SPLIT)</p> <p><input type="checkbox"/> TOUCH AND HOLD ATTACHMENT</p> <p><input type="checkbox"/> ROPE/PULLEY SYSTEM</p>	<p>SIDE PAD DATA</p> <p>____ LENGTH AT REAR</p> <p>____ WIDTH AT REAR</p> <p>____ WIDTH AT FACE</p> <p>____ TOTAL PROJ. AT TOP</p> <p>____ TOTAL PROJ. AT BOTTOM</p> <p>____ SIDE PAD FACE I.D.</p> <p>____ BASE FABRIC</p> <p>____ COLOR</p> <p><input type="checkbox"/> BLOCKOUT (IF REQUIRED)</p> <p>PROJ: ____ TOP ____ BOTTOM</p> <p>____ FABRIC</p> <p>____ COLOR</p> <p><input type="checkbox"/> FACE REINFORCEMENT</p> <p>____ FABRIC</p> <p>____ COLOR</p> <p><input type="checkbox"/> INSIDE EDGE REINFORCEMENT</p> <p>____ FABRIC</p> <p>____ COLOR</p>	<p><input type="checkbox"/> DYNA-ARMOR PLEATS</p> <p>____ FABRIC</p> <p>____ COLOR</p> <p>____ "PLEAT EXPOSURE</p> <p><input type="checkbox"/> FORMED STEEL BACK</p> <p><input type="checkbox"/> PAINTED <input type="checkbox"/> GALVANIZED</p> <p><input type="checkbox"/> NON-ROT BACK</p>	<p>GENERAL INFORMATION</p> <p>____ DOOR WIDTH</p> <p>____ DOOR HEIGHT</p> <p>____ DOCK HEIGHT</p> <p>____ DOCK BUMPER/LEDGE</p> <p>____ COMBINED PROJECTION</p> <p>____ DISTANCE BETWEEN DOORS</p> <p>____ CLEARANCE ABOVE DOOR</p> <p>DRIVE APPROACH: <input type="checkbox"/> LEVEL</p> <p><input type="checkbox"/> DECLINE ____ " IN ____' <input type="checkbox"/> INCLINE ____ " IN ____'</p> <p>FB- ____ QTY. ____ SHEET ____ OF ____</p>
<p>FAIRBORN USA INC.</p>			
JOB:		P.O. BOX 151 • 205 BROADVIEW STREET UPPER SANDUSKY, OHIO 43351	
LOCATION:		800-262-1188 • 419-294-4987 • FAX:419-294-4980 VISIT US AT... WWW.FAIRBORNU.SA.COM	
CONTRACTOR:		ARCHITECT:	
APPROVED BY SIGNATURE:			