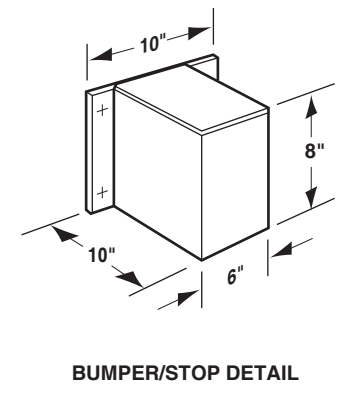
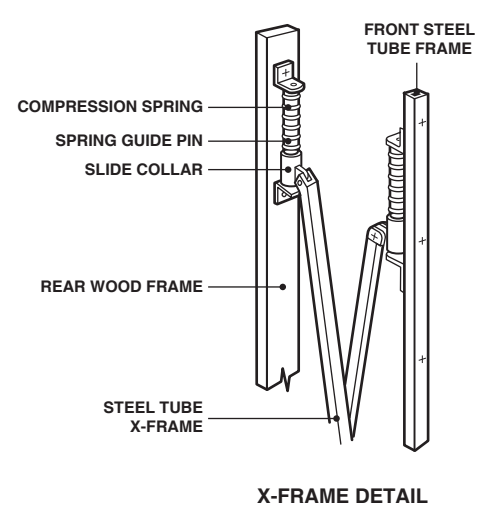
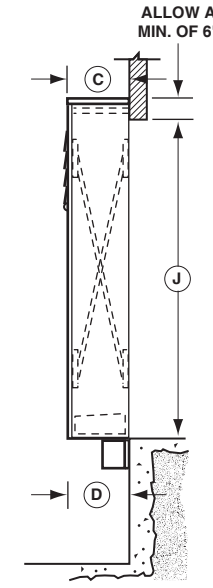
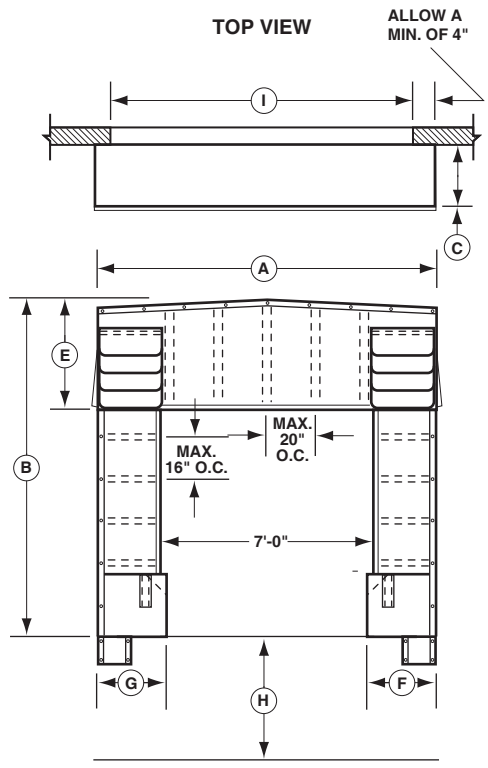
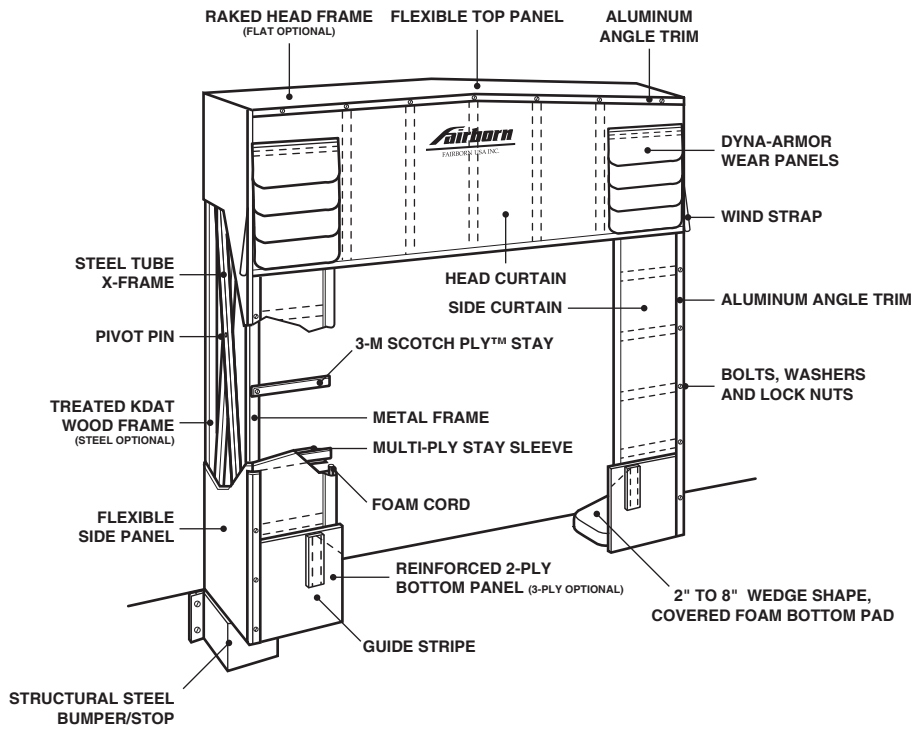


**SERIES 2500**  
FLEXIBLE TRUCK SHELTER



_____ FABRIC TYPE	_____ "H" DOCK HEIGHT
_____ "A" SHELTER WIDTH	_____ "I" DOOR WIDTH
_____ "B" SHELTER HEIGHT	_____ "J" DOOR HEIGHT
_____ "C" UNIT TOP PROJ.	<b>OPTIONAL EQUIPMENT</b>
_____ "D" UNIT BOTTOM PROJ.	<input type="checkbox"/> FULL "Z" STAY SIDE CURTAIN
_____ "E" HEAD CURTAIN	<input type="checkbox"/> 3-PLY BOTTOM REINFORCEMENT
_____ "F" RIGHT SIDE CURTAIN	<input type="checkbox"/> PULL ROPE - HEAD CURTAIN
_____ "G" LEFT SIDE CURTAIN	<input type="checkbox"/> FLAT HEAD FRAME

**Fairborn**<sup>®</sup>  
FAIRBORN USA INC.

P.O. BOX 151 • 205 BROADVIEW STREET  
UPPER SANDUSKY, OHIO 43351  
800-262-1188 • 419-294-4987 • FAX: 419-294-4980  
VISIT US AT... WWW.FAIRBORNUSA.COM

JOB: \_\_\_\_\_

LOCATION: \_\_\_\_\_

CONTRACTOR: \_\_\_\_\_ ARCHITECT: \_\_\_\_\_

APPROVED BY SIGNATURE: \_\_\_\_\_